



## 20 Watt Mini Electronic HID Ballast

GE's line of ultra cool UltraMax® eHID electronic ballasts provide up to 70% energy savings and 2-4 times the life of standard halogen. End users get the cost savings and the advantages offered in meeting strict watts per square foot requirements with these systems. UltraMax® eHID is a high energy efficiency ballast that uses less wattage to provide full light output.

The UltraMax® 20W Mini is 56% smaller than the industry standard 20W housing, but does not sacrifice energy savings or heat management to ensure a full 5 year ballast warranty.

You can count on GE to answer your lamp and ballast questions at 1-888-GEBALLAST.

### Performance Features

- Saves energy: 70% less power than 75W standard halogen.
- Reduce operating costs by up to \$108.00 per fixture\* when replacing a 50 W Halogen HIR.
- 22.5 W system (89% efficient ballast).
- Long lamp life: 12,000 hr. design life vs. 3,000 for halogen. GE CMH® 20W lamp life extended by 3,000 hours with UltraMax eHID ballast.
- Low watts per square foot and long lamp life provide lower cost of ownership compared to halogen.
- Low frequency square wave electronic ballast maximizes ceramic metal halide performance and lamp life.
- 56% smaller than industry standard can size.
- 1" height allows ballast to run flush along standard 1.5" track.
- Normal power factor - meets IEC and ANSI power factor and THD requirements for task and recessed lighting.
- Ultra cool - 80C/5 year warranty.
- 2% output regulation over accepted ANSI lamp voltages reduces visual flicker and maintains consistent lamp color. EM lag ballasts have up to 20% change in output power over the same lamp variation range which results in an increase in power (watts) to the lamp as the voltage increases over the life of the lamp.

### Applications

- Replacement of electromagnetic HID ballasts.
- Replacement of 50W HIR halogen to 70W or 90W standard halogen.
- Any track, outdoor landscape or wall pack application where watts per square foot and color quality are critical.



### Benefits of Electronic Systems

System-120V Track Lamp	Ballast	Performance					Benefits Comparison		
		Initial Lumens	CBCP	Watts	LPW	Lamp Life (hrs)	% Lumens	% Savings (W)	Lamp Life (X)
90PAR/H		1310		90	15	2500			
75PAR/H		1050		75	14	2500			
80PAR/HIR		1500		80	19	3000			
70PAR/HIR		1260		70	18	3000			
CMH20T/GU6.5	UltraMax eHID 20W	1615		22.5	72	12000	23%	-75%	4.8
Q50MR16/C/NSP15			9100	50		4000			
CMH20MR16/SPL	UltraMax eHID 20W	1000	9000	22.5	44	12000		-55%	3.0

CMH20T/GU6.5 lamps with UltraMax eHID provide 23% more light, 75% energy savings and 4.8 times the life of standard 90PAR38 halogen lamps. The CMH20MR16 spot with UltraMax eHID provides 55% energy savings with 3 times the life and nearly the same center beam candle power (CBCP).



imagination at work

\* @ \$.10 kwh over life of ballast (approximately 4 lamp replacements). Ballasts and system specs listed on back.

# Specifications: 20 Watt Mini Electronic HID Ballast

Product Code	Description	ANSI Designation	Line Voltage	System Watts	Nominal Current (Amps)	Power Factor	THD%	Ballast Efficiency
12 Pack 87490	GEMH20-MLF-120	M156	120	23	.36	> 56%	<79%	89%

## Specifications

- Line Voltage 120VAC, +/- 10%, 50-60Hz
- Short Circuit Protection
- Low Frequency Square Wave
- Lamp operating frequency: 133Hz
- OCV - 350Vrms (Vpk-4.0kV)
- Lamp current crest factor <1.4
- Remote mounting distance = 8ft (18AWG)
- Meets ANSI Standard C62.41-1991
- ANSI approved pulse starting ensures high voltage reliable starting
- Side lead wires with mounting feet starting
- No ground wire required
- Meets FCC Part 18 (Class A) for EMI and RFI, Non-Consumer Limits
- UL C-UL 1029 listed
- RoHS Compliant (Reduction in Hazardous Substances)
- Housing meets UL94V0 flame retardant
- Inherent Thermal Protection
- Minimum Starting Temp: 0F, -18C
- 10" lead wires 18AWG 200C
- Max Case Temp 194F, 85C 3 yr, 176F, 80C 5 yr

## Lamp Operation

20W M156 Pulse Arc or CMH Lamps

## The Power Behind the Power

UltraMax® eHID electronic ballasts are custom-manufactured to our demanding Six Sigma specifications for dependable performance with 100% burn in all ballasts at the factory to ensure every ballast is ready to go on-site.

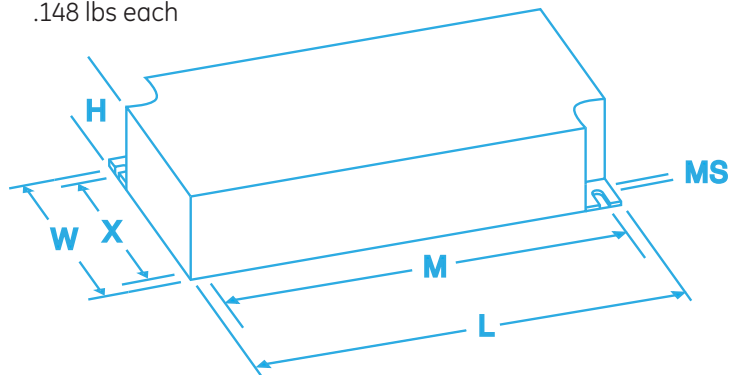


Transforming  
the **POWER**  
of light™

National Customer Service Center  
1-888-GEBALLAST (432-2552)

## Packaging

.148 lbs each



Case Dimensions			Mounting Dimensions			
Length	Width	Height	Bracket Length	Mount Length	Mount Width	Mount Slot
(L)	(W)	(H)	(BL)	(M)	(X)	(MS)
3.74 in	1.57 in	1 in		3.36 in	1.19 in	.17 in
95 mm	40 mm	25 mm		85.4 mm	30.4 mm	4.2 mm

Product Code: 89608  
UltraMax® is a registered trademark of General Electric Company.  
©2006 General Electric Company