

39, 50 & 70 Watt Mini-Square Electronic HID Ballast

GE's line of ultra cool UltraMax® eHID electronic ballasts provide up to 70% energy savings and 2-4 times the life of standard halogen. End users get the cost savings and the advantages offered in meeting strict watts per square foot requirements with these systems. UltraMax® eHID is a high energy efficiency ballast that uses less wattage to provide full light output.

The UltraMax® mini-square eHID ballast is designed for track and other small fixture designs that require high efficiency energy savings, long life and maximum performance with ceramic metal halide lamps. The mini-square meets the industry standard small can dimensions.

You can count on GE to answer your lamp and ballast questions at 1-888-GEBALLAST.

Performance Features

- Saves energy: 62% less power than (2) 100W PAR HIR halogens. Reduce energy costs by up to \$196.80 per fixture* by replacing CMH70 PAR lamps with UltraMax® eHID.
- Over 90% energy efficient ballasts.
- Low watts per square foot and long lamp life provide lower cost of ownership compared to halogen.
- Low frequency square wave electronic ballast maximizes ceramic metal halide performance and lamp life.
- Industry standard mini-square can size.
- High power factor.
- Ultra cool - 75C/5 year warranty.
- 2% output regulation over accepted ANSI lamp voltages reduces visual flicker and maintains consistent lamp color. EM lag ballasts have up to 20% change in output power over the same lamp variation range which results in an increase in power (watts) to the lamp as the voltage increases over the life of the lamp.

Applications

- Replacement of electromagnetic HID ballasts.
- Replacement of 100W HIR or 250W quartz halogen.
- Any track, recessed down light, outdoor landscape or wall pack application where watts per square foot are critical.



Benefits of Electronic Systems

System-120 V Track Lamp	Ballast	Performance					Benefits Comparison		
		Initial Lumens	CBCP	Watts	LPW	Lamp Life (hrs)	% Lumens	% Savings (W)	Lamp Life (X)
100PAR/HIR/FL25 CMH39/PAR30L/FL25	UltraMax eHID 39W	2030 2400	7000 11000	100 43	20 56	3000 10000	18%	-57%	3.3
Q250PAR CMH39/T/U/G12	UltraMax eHID 39W	3600 3400		250 43	14 79	4200 10000	-6%	-83%	2.4
(2) 100PAR/HIR/FL25 CMH70/PAR38/FL25	UltraMax eHID 70W	4060 4800	(2) 7000 14000	200 77	20 62	3000 10000	18%	-62%	3.3
Q250CL/MC (T4) CMH70/T/U/G12	UltraMax eHID 70W	5000 6200		250 77	20 81	2000 15000	24%	-69%	7.5

GE's CMH® 39W with UltraMax eHID provides 57% energy savings with 3.3 times the lamp life when replacing 100W PAR38 HIR lamps. One CMH 70W with UltraMax eHID can replace two 100PAR HIR lamps and provide the 18% more light, 3.3 times the lamp life and 62% energy savings.



imagination at work

* @ \$.10 kwh over life of ballast (approximately 4 lamp replacements). Ballasts and system specs listed on back.

Specifications: 39, 50 & 70 Watt Mini-Square Electronic HID Ballast

Product Code 12 Pack	Description	ANSI Designation	Line Voltage	System Watts	Nominal Current (Amps)	Power Factor	THD%	Ballast Efficiency
87501	GEMH39-MSF-120	M130	120	43	.37	> 99%	6.8%	91%
87516	GEMH50-MSF-120	M110, M/C148	120	58	.48	> 99%	6.9%	86%
87531	GEMH70-MSF-120	M98, M/C143	120	77	.68	> 99%	8.3%	91%

Specifications

- Line Voltage 120VAC, +/- 10%, 50-60Hz
- Short Circuit Protection
- End of Life lamp protection
- Low Frequency Square Wave
- Lamp operating frequency: 130Hz
- OCV - 350Vrms (Vpk-4.0kV)
- Lamp current crest factor <1.4
- Remote mounting distance = 8ft (18AWG)
- Meets ANSI Standard C62.41-1991
- ANSI approved pulse starting ensures high voltage reliable starting
- Side lead wires with mounting feet
- No ground wire required
- Meets FCC Part 18 (Class A) for EMI and RFI, Non-Consumer Limits
- UL C-UL 1029 listed
- RoHS Compliant (Reduction in Hazardous Substances)
- Housing meets UL94V0 flame retardant
- Inherent Thermal Protection
- Minimum Starting Temp: 0F, -18C
- 10" +2/-0" lead wires 18AWG 200C
- Max Case Temp 194F/90C 3yr, 167F/75C 5yr
- UL listed suitable for recessed use

Lamp Operation

M130, M110, M/C148, M98, M/C143 Pulse Arc or Ceramic Metal Halide lamps

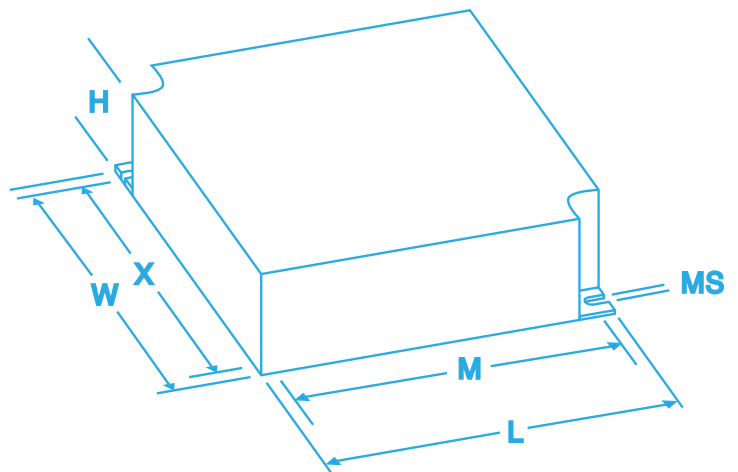
The Power Behind the Power

UltraMax® eHID electronic ballasts are custom-manufactured to our demanding Six Sigma specifications for dependable performance with 100% burn in all ballasts at the factory to ensure every ballast is ready to go on-site.



Packaging

.617 lbs each



Case Dimensions			Mounting Dimensions			
Length	Width	Height	Bracket Length	Mount Length	Mount Width	Mount Slot
(L)	(W)	(H)	(BL)	(M)	(X)	(MS)
3.74 in	2.98 in	1.21 in		3.39 in	2.51 in	.17 in
88.5 mm	75.6 mm	30.6 mm		86.2 mm	63.8 mm	4.1 mm

Transforming
the **POWER**
of light™

National Customer Service Center
1-888-GEBALLAST (432-2552)

Product Code: 89609
UltraMax® is a registered trademark of General Electric Company.
©2006 General Electric Company